

CIRCULAR GRIT CHAMBER

Circular shape grit chambers are used to catch heavy inorganic particles in wastewater in order to avoid them to reach aeration or settling tanks and accumulate in these basins. This type of grit chamber find application in small to medium size wastewater treatment plants as single or multiple configuration.

Wastewater enters the tank tangentially and exits radially. With the help of a slow mixer located in the tank, water is constantly and continuously agitated. Heavy sand particles settle to the tank bottom during the retention period from where they are pumped to a container.

Circular grit chamber consists of following main parts;

Basin

Concrete tank is constructed by the client according to the design provided by Mass.

Drive unit

Electric motor and gearbox forms the drive unit which is located at the top.

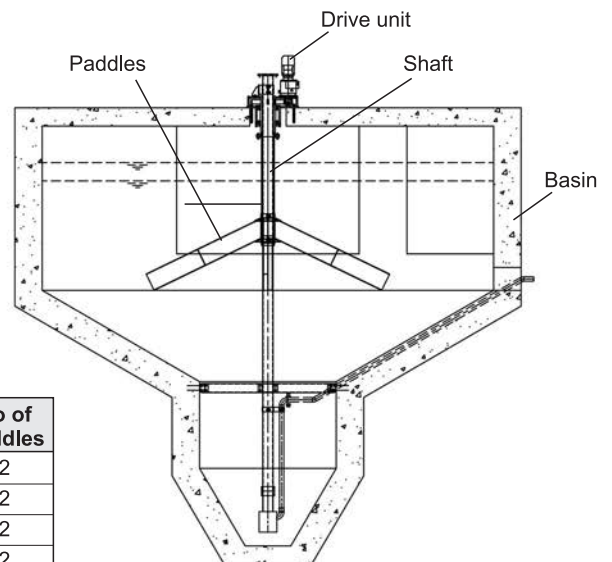
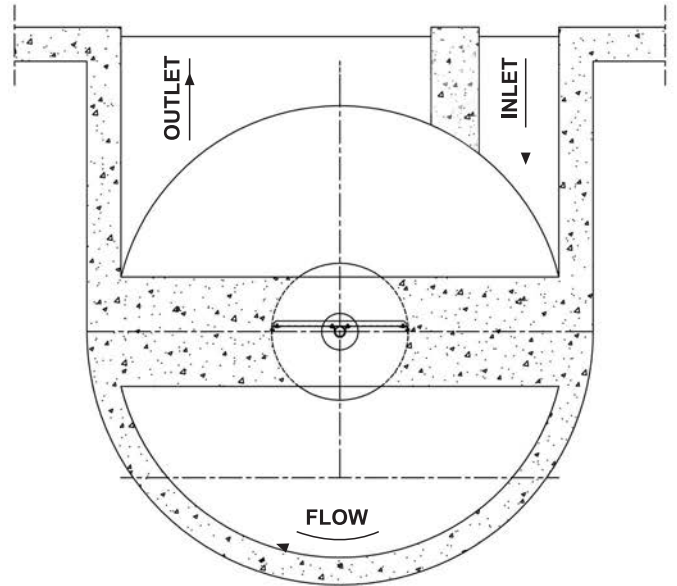
Vertical shaft and paddles

Specially designed paddles are located at the final end of the vertical shaft which is made of mild steel or stainless steel. Paddles are connected to the main shaft by bolts which provides easy dismounting.

Vertical shaft can be provided as solid shaft as per request.

Optional accessories:

- Sand pump
- Sand washing and/or classifying unit



| Model | Tank diameter, m | Capacity, m ³ /h | Motor power, kW | Mixer speed, rpm | No of paddles |
|-------|------------------|-----------------------------|-----------------|------------------|---------------|
| 1-20 | 2.0 | 430 | 0.37 | 27 | 2 |
| 2-25 | 2.5 | 760 | 0.37 | 23 | 2 |
| 3-30 | 3.0 | 1220 | 0.55 | 20 | 2 |
| 4-35 | 3.5 | 1870 | 0.75 | 17 | 2 |
| 4-42 | 4.2 | 3160 | 1.10 | 14 | 2 |
| 6-50 | 5.0 | 5000 | 1.50 | 11 | 4 |
| 7-60 | 6.0 | 8300 | 2.20 | 8 | 4 |

MAN 3110 06.09-E



CIRCULAR GRIT CHAMBER



MASS ARITMA SİSTEMLERİ İNŞAAT SANAYİ VE TİCARET A.Ş.

Gebze Organize Sanayi Bölgesi, 700. Sok., Gebze 41480 Kocaeli - Türkiye

Phone: +90 (262) 751 2210 pbx Fax: +90 (262) 751 0730 e-mail: info@massaritma.com <http://www.massaritma.com>