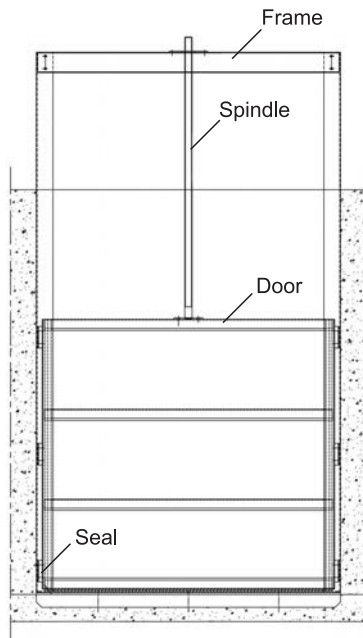


# CHANNEL PENSTOCK

Channel mounted type penstocks are rectangular shaped steel fabricated gates to use for flow control in channels. Penstocks have a large dimensional range. They are designed according to channel dimensions.



Channel penstock consists of following main parts;

## Frame

It is the carrier of the system. Channel mounted penstocks are designed with full frame and the frame is manufactured from mild steel or stainless steel profile.

## Door

Door is designed with flat surface and runs in slide rails up and down. It is made of mild steel or stainless steel material.

## Seal

P, V and double lip rubber seals are used as sealing element and sealing is applied on 3 sides of channel penstocks. The standard seal material is EPDM, other material choices are available upon demand.

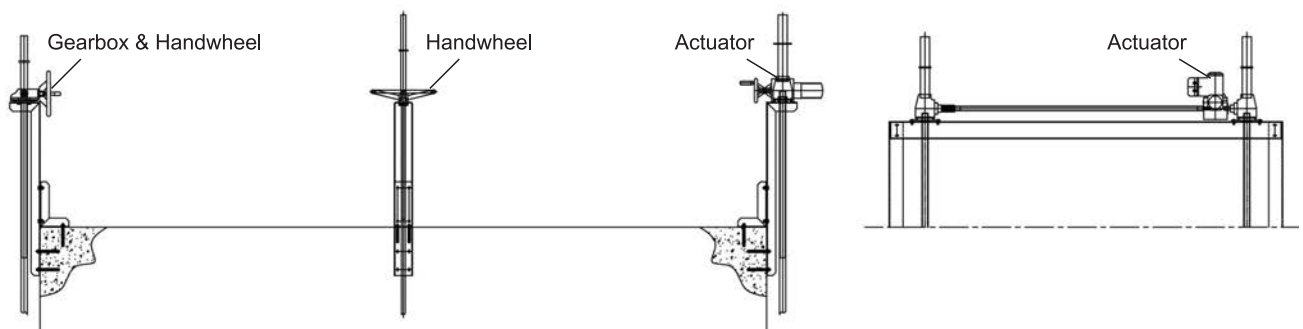
Complete water tightness can not be guaranteed for fabricated penstocks and they have leakage rates depending on pressure sides. Leakage rates are acceptable to AWWA C561 standards;

Under the design seating head: max. 0.02 liters/second/meter of perimeter

Under the design un seating head: max. 0.04 liters/second/meter of perimeter (up to 6m head)

## Spindle

Standard for gates is rising spindle type, but non-rising spindle type gate is also available. Up to approximately 1500 mm width, one single spindle is used; for greater widths double spindles model is generally used.



## Drive unit

All gates can be supplied either for manual operation or with electric/pneumatic actuator.

Electric actuators are equipped with manual drive (hand wheel) for emergency.

Electric actuators are selected according to operation type of gates. On-off operated gates and modulating operated gates are most common applications.

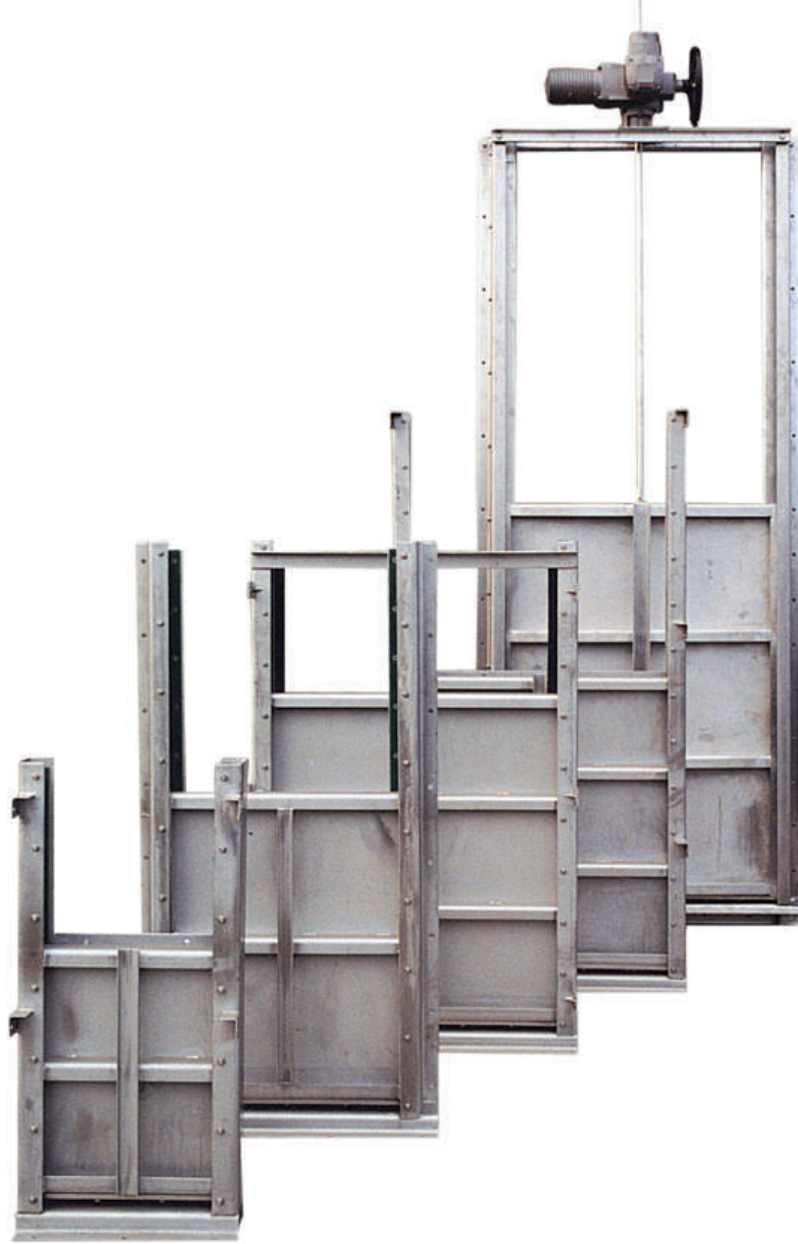
Manual drive gates have handwheel for small sizes and bevel gearbox for large dimensions.

If gate width is extensive then, two pieces bevel gearbox unit are used for both manual and automatic double spindle gate applications.

MAN 1100 06.09-E



# CHANNEL PENSTOCK



**MASS ARITMA SİSTEMLERİ İNŞAAT SANAYİ VE TİCARET A.Ş.**

Gebze Organize Sanayi Bölgesi, 700. Sok., Gebze 41480 Kocaeli - Türkiye

Phone: +90 (262) 751 2210 pbx Fax: +90 (262) 751 0730 e-mail: [info@massaritma.com](mailto:info@massaritma.com) <http://www.massaritma.com>